

PRODUCT INFORMATION PACKET

Model No: 048A11O2017
Catalog No: X400
1/2,1075,OPEN,48Y,1/60/460
Condenser Fans



Regal and Marathon are trademarks of Regal Beloit Corporation or one of its affiliated companies.
©2019 Regal Beloit Corporation, All Rights Reserved. MC017097E





Nameplate Specifications

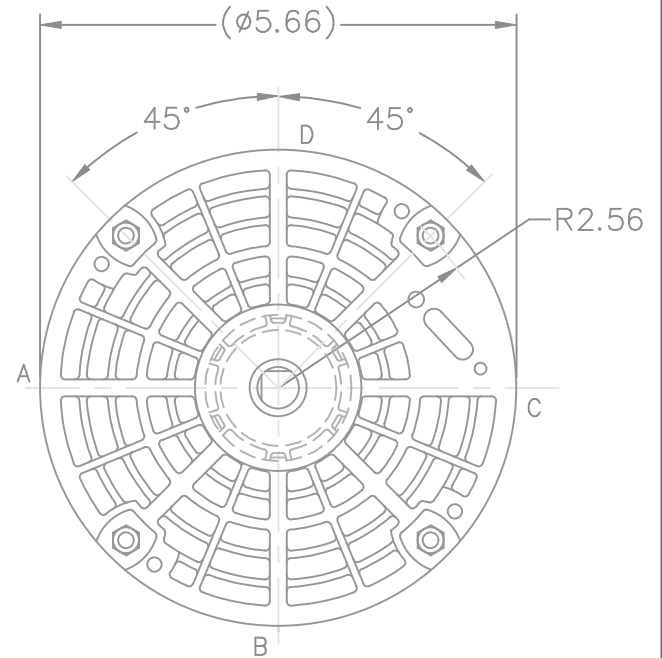
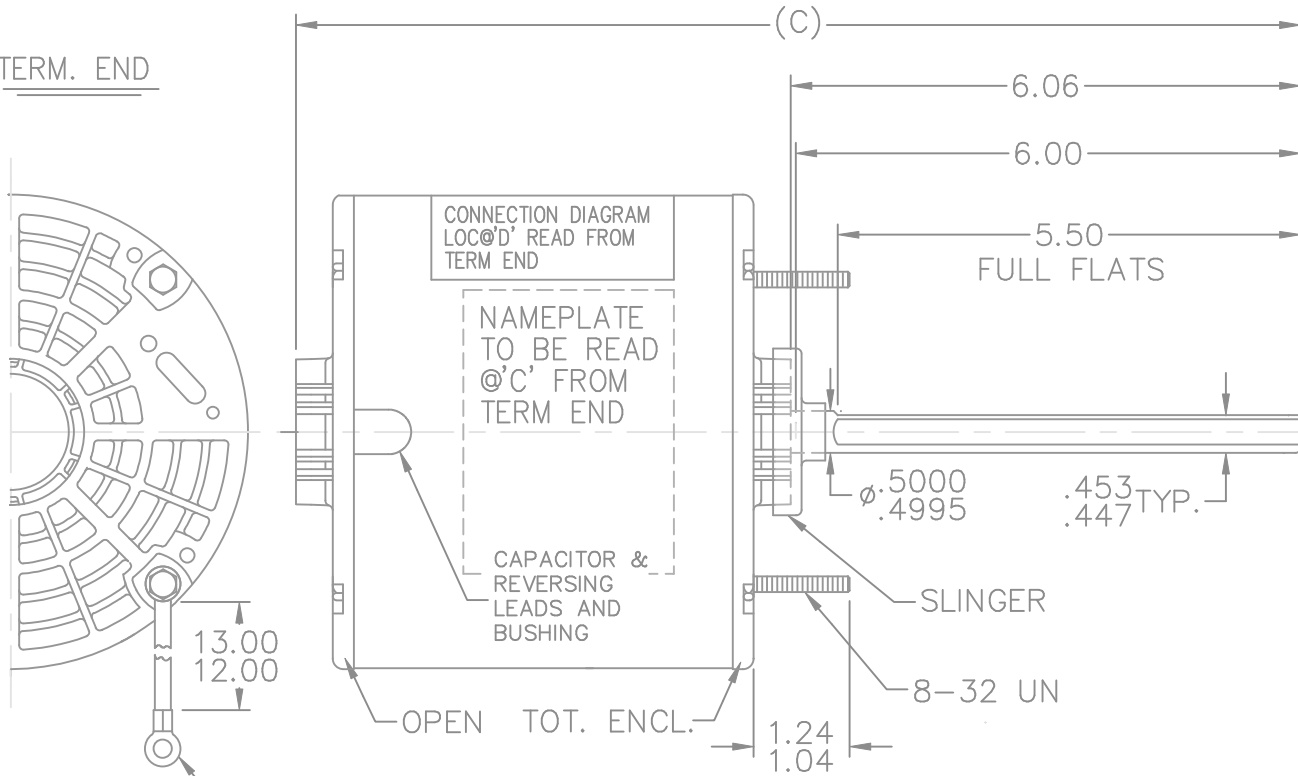
Output HP	0.50 Hp	Output KW	0.37 kW
Frequency	60 Hz	Voltage	460 V
Current	1.4 A	Speed	1075 rpm
Service Factor	1	Phase	1
Efficiency	62 %	Duty	Continuous
Insulation Class	B	Design Code	NO DESIGN CODE
KVA Code	C	Frame	48Z
Enclosure	Open Air Over	Overload Protector	Automatic Lock Rotor Only
Ambient Temperature	40 °C	Drive End Bearing Size	6203
Opp Drive End Bearing Size	6203	UL	Recognized
CSA	Y	CE	N
IP Code	10		

Technical Specifications

Electrical Type	Permanent Split Capacitor	Starting Method	Across The Line
Poles	6	Rotation	Selective Counterclockwise
Mounting	Round - Extended Studs	Motor Orientation	Horizontal
Drive End Bearing	Ball	Opp Drive End Bearing	Ball
Frame Material	Rolled Steel	Shaft Type	Single Special Extension
Overall Length	11.94 in	Frame Length	4.50 in
Shaft Diameter	0.500 in	Shaft Extension	6.06 in
Assembly/Box Mounting	F1 Only		
Outline Drawing	A-SS73949-450	Connection Diagram	6906496

This is an uncontrolled document once printed or downloaded and is subject to change without notice. Date Created: 02/14/2019

TERM. END

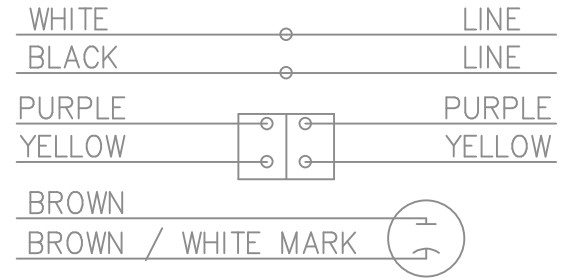


1 GREEN GRD.
W/TERM FOR
#10 SCREW

LEAD DESCRIPTION:
1 WHITE & 1 BLACK WITH .50 BARE
WIRE STRIP 30.00" LONG.

2 BROWN CAPACITOR LEADS W/.25
FLAG TYPE QUICK CONNECTS 30.00" LONG
BROWN W/WHITE MARK IS COMMON TO WHITE LEAD

REVERSING LEADS ARE MOLDED INTO MATING PULL
APART PLUGS. ONE PURPLE AND ONE YELLOW PER
PLUG. 5.0 LONG



ROTATION: CW-SHAFT END SHOWN.
TO REVERSE, CONNECT PURPLE TO
YELLOW AND YELLOW TO PURPLE

DASH	FRAME	C
350	48Y	10.94
400	48Y	11.44
450	48Y	11.94
500	48Y	12.44
525	48Y	12.69

TOLERANCES
UNLESS SPECIFIED



DRAWN MRB 09-13-1995

NO.	REVISION	BY & DATE	CHK	ANG
5	UPDATED DRAWING	TJW 04/02/2007		
4	REDRAWN IN AUTOCAD	TAT 07-22-2004	ML	
3	REMOVED CONDUIT BOX, LEADS WERE 36.00-39.00 LONG. - REDRAWN ON CADD CN 21154	MRB 09-14-1995		

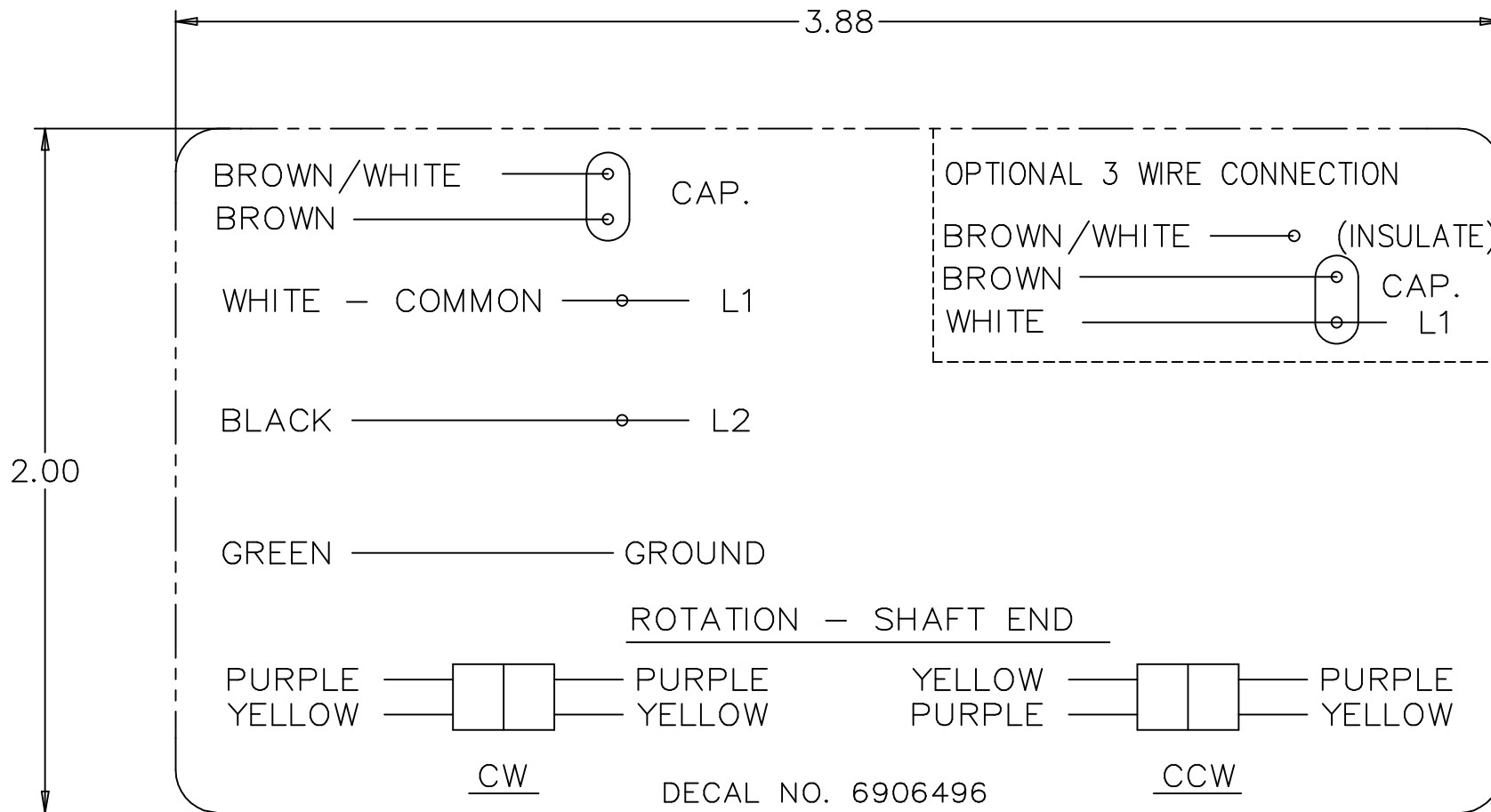
DEC.	INCHES
.X	±.1
.XX	±.03
.XXX	±.005
.XXXX	±.0005
	±.7'30"


TITLE OUTLINE 48Y FR.
MAT'L.
FINISH

CHK	DA 09-14-1995
APPD	GK 09-14-1995
SCALE	7=16
REF	
FMF	
PREV	

THIS DRAWING IN DESIGN AND DETAIL IS OUR PROPERTY AND MUST NOT BE USED EXCEPT
IN CONNECTION WITH OUR WORK ALL RIGHTS OF DESIGN AND INVENTION ARE RESERVED
THIS IS AN ELECTRONICALLY GENERATED DOCUMENT - DO NOT SCALE THIS PRINT

RFP	CAD FILE ss73949	SIZE	DRAWING NO.	PAGE	OF	REV.
DIST	WP	A	SS73949			5



NO.	REVISION	BY & DATE	CHK	TOLERANCES UNLESS SPECIFIED		FINISH	DRAWING NO.	PAGE	OF	REV.	
				DEC.	INCHES						
4	ADDED DIM. TO DECAL	RDH 09/22/2003	ML	.X	±.1		REGAL-BELOIT 	DRAWN MRB 04-16-1998			
3	REMOVED 'MARATHON ELECTRIC' CN 35106	DRS 05-01-2002	TOM	.XX	±.02			CHK ML 04-22-1998			
2	PART NAME WAS CONNECTION DIAGRAM CN 25669	MRB 04-23-1998		.XXX	±.005			APPD GK 04-22-1998			
1	NEW DRAWING CN 25669	MRB 04-22-1998		.XXXX	±.0005	MAT'L.		SCALE 1=1			
							REF				
							FMF				
							PREV				
THIS DRAWING IN DESIGN AND DETAIL IS OUR PROPERTY AND MUST NOT BE USED EXCEPT IN CONNECTION WITH OUR WORK ALL RIGHTS OF DESIGN AND INVENTION ARE RESERVED THIS IS AN ELECTRONICALLY GENERATED DOCUMENT - DO NOT SCALE THIS PRINT				RFP	CAD FILE 6906496			SIZE	DRAWING NO. PAGE OF		REV.
				DIST WP				A	6906496		4

